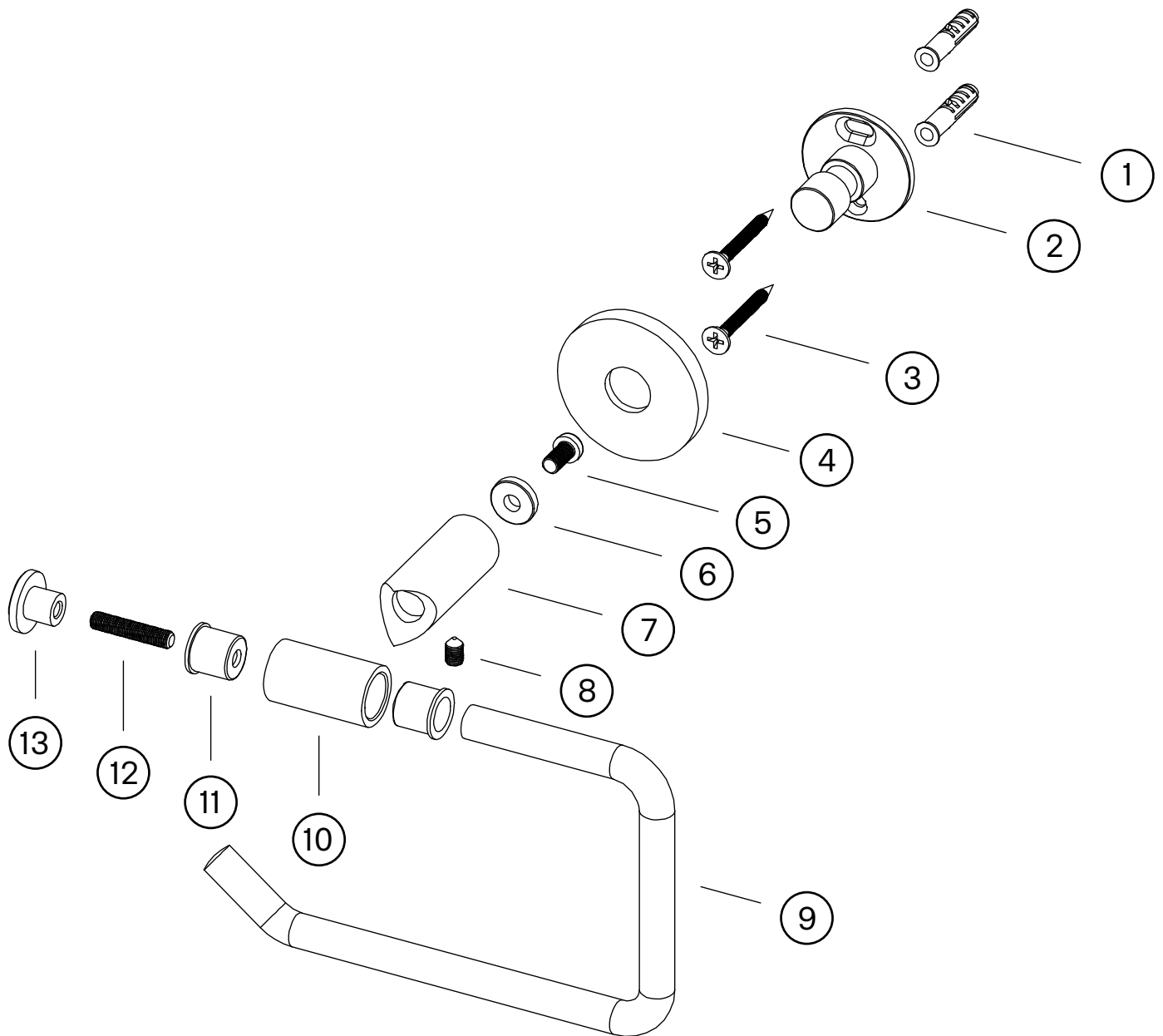


Explosion Drawing



1. Screw plug $\varnothing 6 \times 30$ mm
2. Wall mount $\varnothing 34,6 \times 29,5$ mm
3. Screw M4 x 35 mm
4. Cover plate $\varnothing 45 \times 6$ mm
5. Screw M4 x 10 mm
6. Seal plate
7. Cylinder $\varnothing 18 \times 46,8$ mm
8. Allan screw M5 x 8 mm
9. Holder
10. Cylinder $\varnothing 18 \times 31,3$ mm
11. Insert $\varnothing 14,7 \times 12,7 \times 1$ mm
12. Allan screw M5 x 25 mm
13. Cover cap $\varnothing 18 \times 11,2$ mm