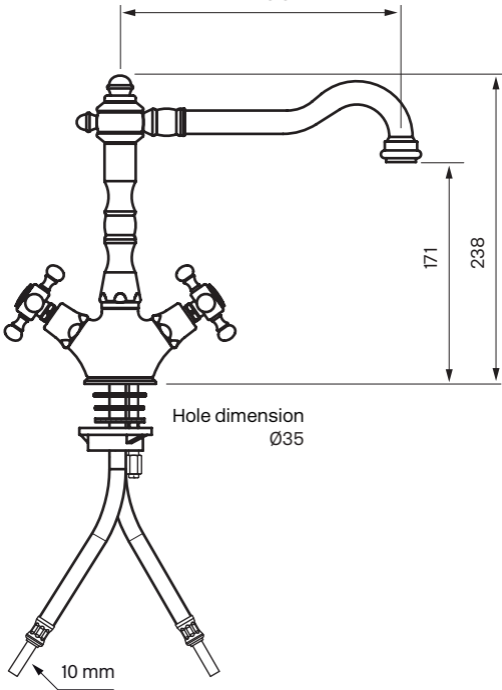


216.5



171

238

Hole dimension
Ø35

10 mm